

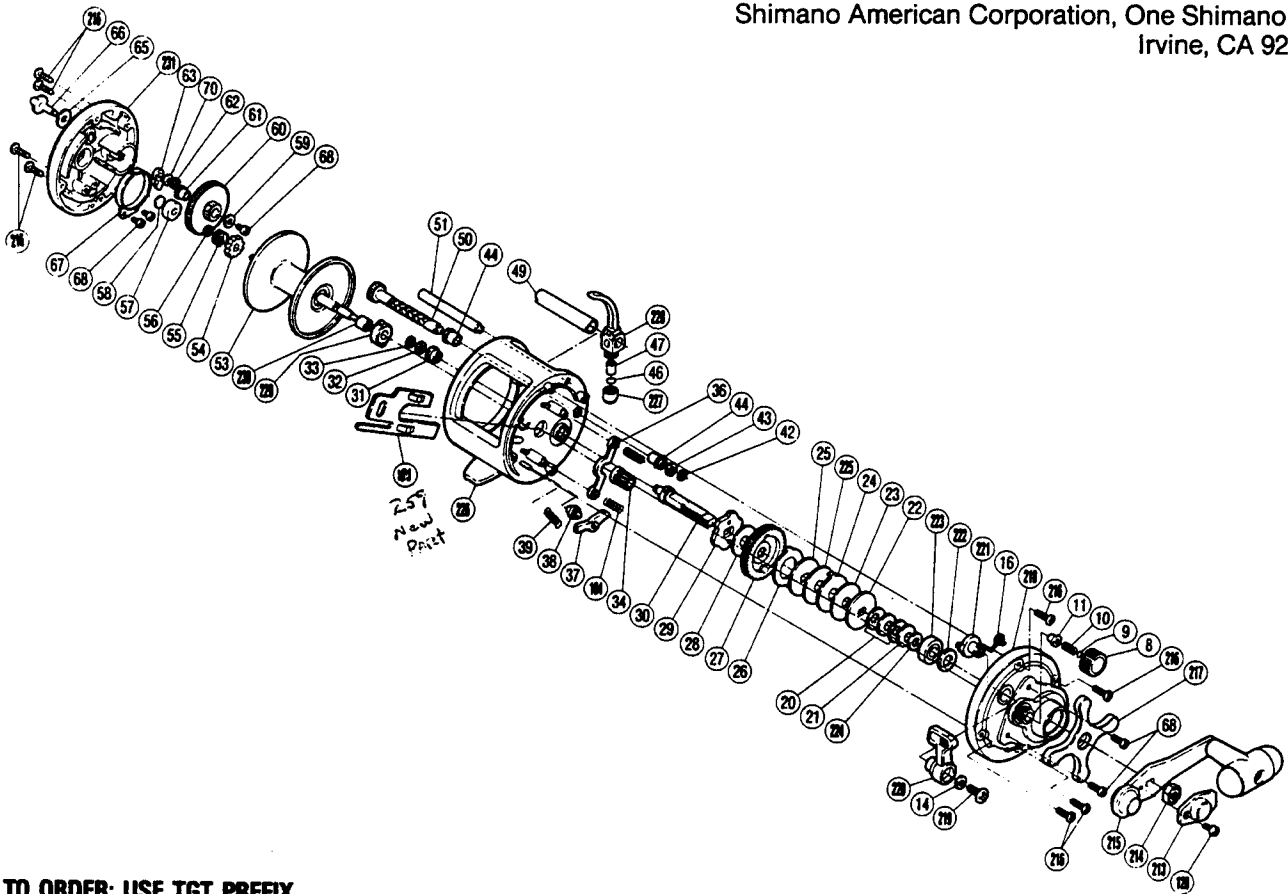
EXPLODED PARTS VIEW

TRITON 100

SHIMANO

1990 REPAIR MANUAL

Shimano American Corporation, One Shimano Dr.
Irvine, CA 92718



**TO ORDER: USE TGT PREFIX
WITH PART NUMBER**

PARTS LIST

TGT #	DESCRIPTION	TGT #	DESCRIPTION	TGT #	DESCRIPTION
0008	Cast Control Cap	0039	Anti-Reverse Pawl Spring	0068	Click Spring Screw
0009	Spacer "A"	0041 259	Yoke Plate	0070	Spacer B
0010	Spool Tension Spring	0042	Worm Shaft Retainer	0104	Yoke Spring
0011	Spool Shaft Bushing "A"	0043	Worm Shaft Holder Washer	0128	Handle Nut Plate Screw
0014	Lock Washer	0044	Worm Bearing	0213	Handle Nut Plate
0016	Clutch Spring	0046	Spacer	0214	Handle Nut
0020	Drag Spring Washer "H"	0047	Line Guide Pawl	0215	Handle Assembly
0021	Drag Spring Washer "G"	0049	Level Wind Guard	0216	Side Plate Screw
0022	Key Washer "F"	0050	Worm Shaft	0217	Star Drag
0023	Drag Washer "D"	0051	Stabilizer Bar	0218	Right Side Plate
0024	Eared Washer "E"	0053	Spool	0219	Clutch Lever Screw
0025	Key Washer "C"	0054	Click Gear	0220	Clutch Lever
0026	Eared Washer "B"	0055	Idle Gear "A"	0221	Clutch Cam
0027	Drive Gear	0056	Idle Gear "A" Retainer	0222	Bearing Spacer (A)
0028	Drive Shaft Washer	0057	Spool Shaft Bushing "B"	0223	Ball Bearing
0029	Anti-Reverse Ratchet	0058	Spacer "B"	0224	Bearing Spacer (B)
0030	Drive Shaft	0059	Lock Washer	0225	Drag Washer "I"
0031	Drive Shaft Bushing	0060	Idle Gear "B"	0226	Frame
0032	Spacer	0061	Idle Gear "B" Bushing	0227	Pawl Cap
0033	Drive Shaft Retainer	0062	Click Pawl Retainer	0228	Line Guide
0034	Pinion Gear	0063	Click Pawl	0229	Spool Shaft Bushing "C"
0036	Yoke	0065	Spacer A	0230	Spool Shaft Spacer
0037	Anti-Reverse Pawl	0066	Click Button	0231	Left Side Plate
0038	Pawl Supporter	0067	Click Spring		